

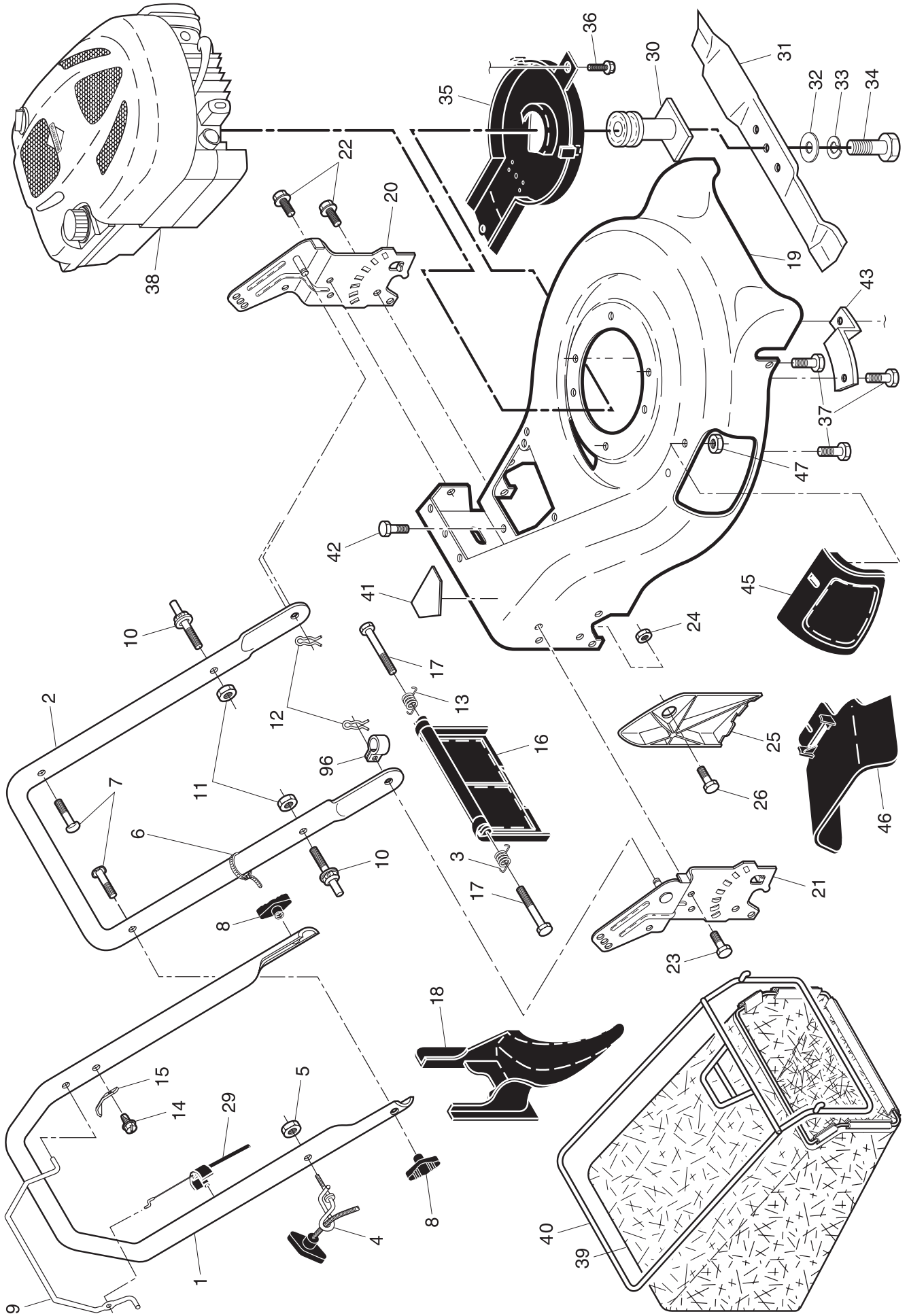
ILLUSTRATED PARTS LIST

MODEL NUMBER P553CM

PRODUCT NUMBER 961 41 01-13

MFG. ID. NUMBER 96141011304

ROTARY LAWN MOWER -- MODEL NUMBER P553CM (96141011304) PRODUCT NUMBER 961 41 01-13

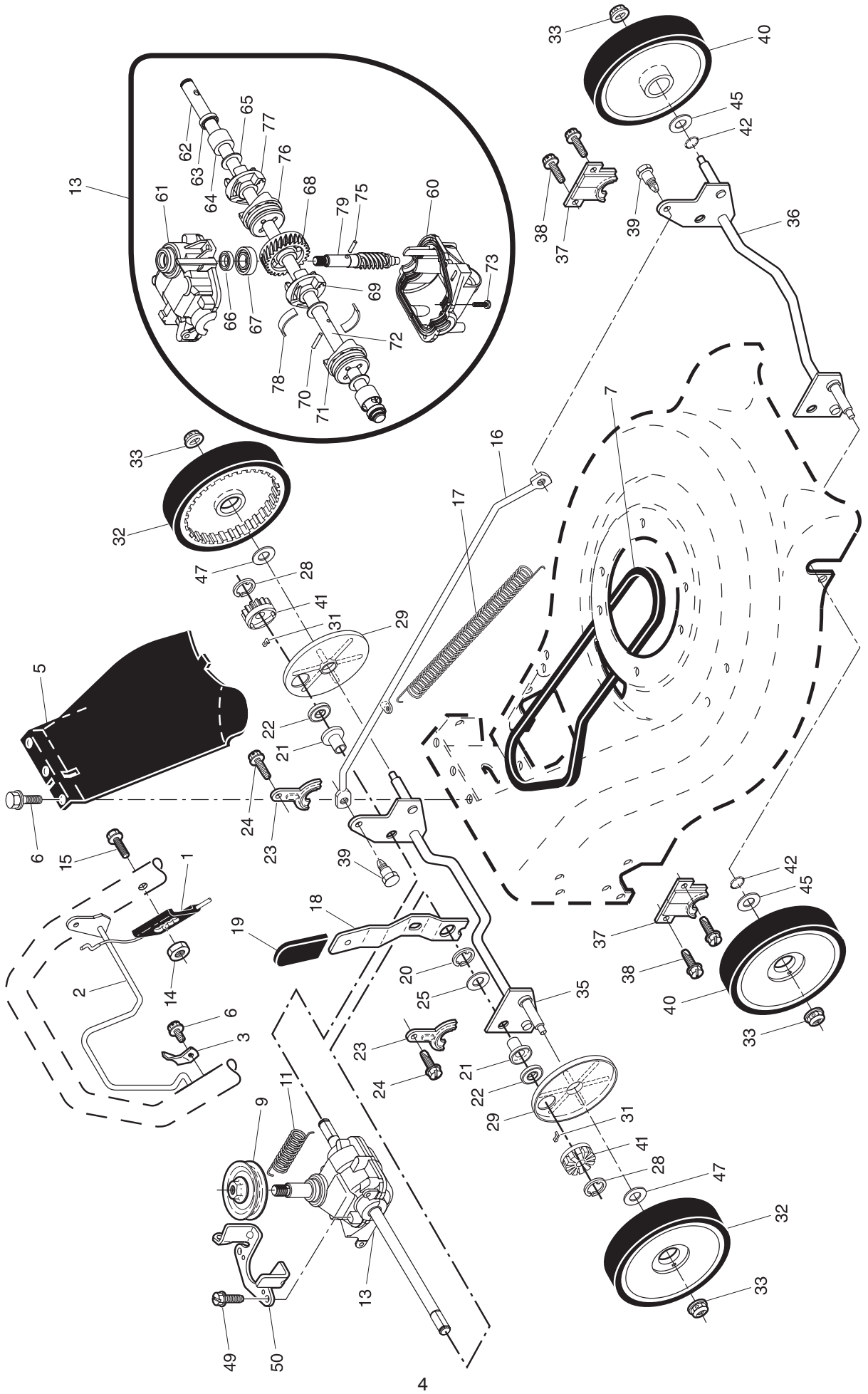


ROTARY LAWN MOWER - - MODEL NUMBER P553CM (96141011304) PRODUCT NUMBER 961 41 01-13

| KEY NO. | PART NO. | DESCRIPTION | KEY NO. | PART NO. | DESCRIPTION |
|---------|---------------------|--|---------|---------------------|--|
| 1 | 532 17 80-67 | Handle, Upper | 29 | 532 19 12-21 | Cable, Engine Zone Control |
| 2 | 532 19 60-05 | Handle, Lower | 30 | 532 18 91-79 | Adapter, Blade |
| 3 | 532 40 54-16 | Spring, Rear Door, RH | 31 | 532 19 93-77 | Blade, 21" |
| 4 | 532 19 47-88 | Guide, Rope, Side | 32 | 532 85 10-74 | Washer, Hardened |
| 5 | 532 13 20-04 | Nut, Hex, with Lockwasher Insert 1/4-20 | 33 | 532 85 02-63 | Lockwasher, Helical Spring 3/8 |
| 6 | 532 06 64-26 | Wire Tie | 34 | 532 85 10-84 | Screw, Hex Head 3/8-24 x 1.38 |
| 7 | 532 19 15-74 | Bolt, Handle 5/16-18 x 1.75 | 35 | 532 40 58-43 | Shield, Debris |
| 8 | 532 19 19-38 | Knob, Handle | 36 | 532 19 23-25 | Screw |
| 9 | 532 19 18-19 | Bar, Control | 37 | 532 15 04-06 | Bolt, Engine |
| 10 | 532 18 88-21 | Bolt, Carriage | 38 | - - - | Engine, Briggs & Stratton, Model Number 12F802 (Order parts from engine manufacturer) |
| 11 | 532 75 11-53 | Nut, Hex, with Lockwasher Insert 5/16-18 UNC | 39 | 532 41 06-76 | Grassbag |
| 12 | 532 05 17-93 | Cotter, Hairpin | 40 | 532 40 74-53 | Frame, Grassbag |
| 13 | 532 40 54-15 | Spring, Rear Door, LH | 41 | 532 18 21-66 | Danger Decal |
| 14 | 532 75 06-34 | Screw, Tapping, Hex Washer Head #10-24 | 42 | 532 05 45-83 | Screw |
| 15 | 532 12 51-62 | Bracket, Upstop | 43 | 532 19 09-39 | Mounting, Bracket, Debris Shield |
| 16 | 532 40 88-88 | Rear Door Assembly | 45 | 532 19 13-41 | Mulcher Door |
| 17 | 532 18 41-93 | Bolt, Rear Door | 46 | 532 19 12-10 | Discharge Deflector |
| 18 | 532 19 81-70 | Plug, Mulcher | 47 | 532 08 83-49 | Locknut, Hex 1/4-20 |
| 19 | 532 40 97-33 | Kit, Housing | 96 | 532 19 79-91 | Clip, Cable |
| 20 | 532 19 40-29 | Handle Bracket Assembly, LH | - - | 532 18 21-34 | Warning Decal (not shown) |
| 21 | 532 19 40-31 | Handle Bracket Assembly, RH | - - | 532 40 98-05 | Operator's Manual, European |
| 22 | 532 15 00-78 | Screw, Hex Washer Head | - - | 532 40 98-06 | Operator's Manual, Scandinavian |
| 23 | 532 16 31-83 | Bolt, Hex Head 5/16-18 x 5/8 | - - | 532 40 98-07 | Operator's Manual, East Bloc |
| 24 | 873 80 05-00 | Nut, Hex, with Lockwasher Insert 5/16-18 | - - | 532 40 98-08 | Operator's Manual, Baltic |
| 25 | 532 16 13-33 | Baffle, Side | | | |
| 26 | 532 16 34-09 | Screw #12 x 5/8 | | | |

NOTE: All component dimensions given in U.S. inches. 1 inch = 25.4 mm. **IMPORTANT:** Use only Original Equipment Manufacturer (O.E.M.) replacement parts. Failure to do so could be hazardous, damage your lawn mower and void your warranty.

ROTARY LAWN MOWER -- MODEL NUMBER P553CM (96141011304) PRODUCT NUMBER 961 41 01-13



ROTARY LAWN MOWER - - MODEL NUMBER P553CM (96141011304) PRODUCT NUMBER 961 41 01-13

| KEY NO. | PART NO. | DESCRIPTION | KEY NO. | PART NO. | DESCRIPTION |
|---------|---------------------|--|---------|---------------------|---------------------------------------|
| 1 | 532 40 65-31 | Cable, Drive Control | 37 | 532 16 14-63 | Retainer, Front Shaft |
| 2 | 532 16 14-73 | Bar, Control, Drive | 38 | 532 16 34-09 | Screw #12 x 5/8 |
| 3 | 532 16 45-57 | Bracket, Downstop | 39 | 532 40 70-59 | Bolt, Shoulder |
| 4 | 532 75 06-34 | Screw, Tapping, Hex Washer Head #10-24 | 40 | 532 41 09-21 | Wheel & Tire Assembly, Front 8 x 1.75 |
| 5 | 532 40 28-07 | Cover, Drive | 41 | 532 40 48-35 | Pinion |
| 6 | 532 75 06-34 | Screw, Threaded, Rolled #10-25 x .50 | 42 | 532 19 74-80 | O-Ring |
| 7 | 532 40 65-57 | V-Belt | 45 | 532 08 83-48 | Washer, Flat |
| 9 | 532 40 57-03 | Pulley, Driven | 47 | 532 06 77-25 | Washer, Felt |
| 11 | 532 40 65-58 | Spring | 49 | 532 16 34-09 | Screw |
| 13 | 532 40 48-39 | Gearcase Assembly, Complete | 50 | 532 41 37-22 | Belt Keeper |
| 14 | 532 19 17-30 | Nut 1/4-20 | 60 | 532 41 27-47 | Case, Lower |
| 15 | 532 19 96-87 | Screw 1/4-20 x 1.5 | 61 | 532 41 27-36 | Case, Upper |
| 16 | 532 40 71-47 | Rod, Connecting | 62 | 532 41 27-57 | Shaft, Output, Long |
| 17 | 532 40 96-16 | Spring, Extension | 63 | 532 18 35-08 | Seal, Output Shaft |
| 18 | 532 19 61-62 | Spring, Selector | 64 | 532 18 35-11 | Bushing |
| 19 | 532 19 00-69 | Knob, Selector Spring | 65 | 532 18 35-09 | Washer |
| 20 | 812 00 00-22 | E-Ring 7/8 | 66 | 532 18 35-14 | Seal, Worm Shaft |
| 21 | 532 40 24-50 | Support, Bearing | 67 | 532 18 35-06 | Bearing, Ball |
| 22 | 532 19 10-39 | Bearing, Ball | 68 | 532 41 27-42 | Gear, 28 Teeth |
| 23 | 532 16 45-55 | Retainer, Drive Assembly, Stamped | 69 | 532 41 27-39 | Fixed Dog Clutch, LH |
| 24 | 532 05 78-08 | Screw, Tapping, Hex Head 1/4-20 x .75 | 70 | 532 41 27-41 | Pin, Output Shaft |
| 25 | 532 85 12-26 | Flat Washer | 71 | 532 40 48-35 | Movable Dog Clutch, LH |
| 28 | 812 00 00-58 | E-Ring 7/16 | 72 | 532 41 27-56 | Shaft, Output Short |
| 29 | 532 18 94-03 | Cover, Dust, Wheel | 73 | 532 18 35-13 | Screw, Case |
| 31 | 532 40 48-45 | Seal, Friction | 75 | 532 41 27-46 | Pin, Worm Shaft |
| 32 | 532 41 37-23 | Wheel & Tire Assembly, Rear, Driven 8 x 1.75 | 76 | 532 41 27-44 | Fixed Dog Clutch, RH |
| 33 | 532 40 91-48 | Nut, Hex, Flangelock | 77 | 532 41 27-43 | Movable Dog Clutch, RH |
| 35 | 532 41 09-22 | Shaft Assembly, Rear | 78 | 532 41 07-31 | Spring, Leaf |
| 36 | 532 41 09-33 | Shaft Assembly, Front | 79 | 532 41 27-37 | Shaft, Worm |

NOTE: All component dimensions given in U.S. inches. 1 inch = 25.4 mm. **IMPORTANT:** Use only Original Equipment Manufacturer (O.E.M.) replacement parts. Failure to do so could be hazardous, damage your lawn mower and void your warranty.